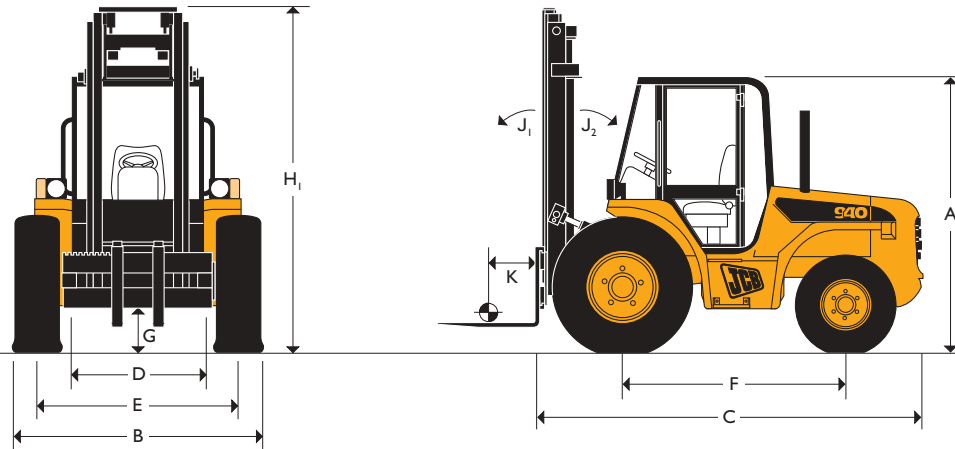




JCB ROUGH TERRAIN FORK LIFT | 940



OPERATING WEIGHTS: 7100 to 7500 kg
LIFT CAPACITY: 4.0 tonnes



DIMENSIONS

Machine model	940
	m (ft-in)
A Overall cab height	2.57 (8-5)
B Overall width (over tyres)	2.20 (7-2½)
C Overall length to front carriage (industrial or bar)	3.58 (11-9)
D Inside width of cab	1.16 (3-9½)
E Front track	1.80 (5-11)
F Wheel base	
2WD	2.07 (6-9½)
4WD	2.13 (7-0)
G Ground clearance	
2WD	0.37 (1-2½)
4WD	0.37 (1-2½)
H ₁ Mast closed height	
3.6m Duplex mast	2.85 (9-4)
4.5m Triplex mast (with freelif)	2.54 (8-4)
5.5m Triplex mast	2.85 (9-4)
6.7m Triplex mast	3.25 (10-8)

Machine model	940
	m (ft-in)
H ₂ Mast open height	
3.6m Duplex mast	4.84 (15-10)
4.5m Triplex mast (with freelif)	5.81 (19-1)
5.5m Triplex mast	6.73 (22-1)
6.7m Triplex mast	7.84 (25-9)
J ₁ Mast tilt forwards	10°
J ₂ Mast tilt backwards	10°
Outside turn radius	2WD/4WD
Overall weight	2WD/4WD
Departure angle	2WD/4WD degrees
Obstruction angle	2WD/4WD degrees
Standard tyres (UK) front	16.5/85-24 Traction
Rear 2WD	12.5/80-18 Rib and bar
Rear 4WD	12.5/80-18 Traction
K Load centre	0.50 (1-8)

The above data based on the following specification: Standard fork size 1067 x 100 x 50 mm (42 x 4 x 2 in)

The above data based on the following specification: Standard fork size 1067 x 100 x 50 mm (42 x 4 x 2 in)



JCB ROUGH TERRAIN FORK LIFT | 940



ENGINE

Naturally aspirated 55.9kW (76hp) at 2200rpm; 4 cylinders: bore 103mm (4.05in); stroke 127mm (5in); displacement 4.232 litres (258ine). Latest technology and advanced design provides low fuel consumption, reduced noise, high torque and power output, total reliability and minimal maintenance. Easily replaceable pre-finished dry liners. 5 bearing, heat treated crankshaft. Expansion controlled pistons. Two stage dry type air filter with primary and safety elements and optional glass bowl pre-cleaner.

TRANSMISSION

For unbeatable drive power in all conditions, the JCB Syncro Shuttle combines a 4-speed, fully synchromesh gearbox with integral torque converter and electrically operated reversing shuttle for smooth gear changes on the move and fast cycle times. Column mounted electric switch effortlessly controls machine direction changes allowing operator to keep hands on steering wheel. Automotive style pedal layout and conventional H-pattern gear lever add to ease of operation. Travel speed 29.0km/h (18mph). **Front drive axle:** JCB epicycle hub reduction drive axle with Max-Trac torque proportioning differentials. **Rear steer axles:** JCB manufacture with hydrostatic power steering. Steer shock valve as standard. 4WD versions with epicyclic hub reduction and Max-Trac torque proportioning differentials.

BRAKES

Service brakes: Hydraulic servo assisted, self-adjusting, oil-immersed in-board multi-disc type in front axle.
Parking brake: Hand operated disc brake on output of gearbox.

MASTS AND CARRIAGES

Clearview masts manufactured from channel and I-section steel. Heavy duty mast chains. Guide roller bearings are sealed for life. Industrial class III carriage as standard for 60", 72" and 84" widths available for all masts. All carriages have side thrust rollers. Adjustable right hand tilt ram. Floating fork carriage optional.

HYDRAULICS

Single gear pump with steer priority valve, suction strainer and filter. Operating system pressure: 22.1 bar (3200psi), flow 55 ltr/min (12.5gal/min). Pipe burst protection on mast hydraulics.

AUTOMATIC DERATION

Deration valve: 5.5m and 6.70m masts are fitted with a deration valve which automatically reduces lift capacity above 4.5m for safety and stability.

SERVICE CAPACITIES

	litres (UK gal)
Fuel tank	88 (19.0)
Hydraulic tank	60 (13)
Coolant	17 (3.7)

ELECTRICS

12v negative earth. 95Ah battery. 65 amp alternator. Full road lighting, direction indicators, hazard warning reverse and fog light.

OPERATOR MODULE

Safety quiet cab or canopy, FOPS standard (falling object protective structure) to FEM Section IV and ANSI B56.6 – 1978.

Cab: resiliently mounted, two door access, level floor with mat, safety glass all round with laminated roof window, bolt on roof bars. Fitments include: velour seat, rear view mirror and 2 speed heater/demister. Front/Rear screen wiper and washer; horn. Handbook. Instruments for hourmeter battery charge. Audible/Visual warning system for alternator charge, coolant temperature, engine oil pressure, blocked air filter, transmission oil pressure and temperature. Warning lights for: main beam, hazard warning, park brake on, direction indicators. Hydraulic control levers, gear lever, park brake, forward/reverse lever. 4WD disconnect, throttle, brake, and transmission disconnect pedal.

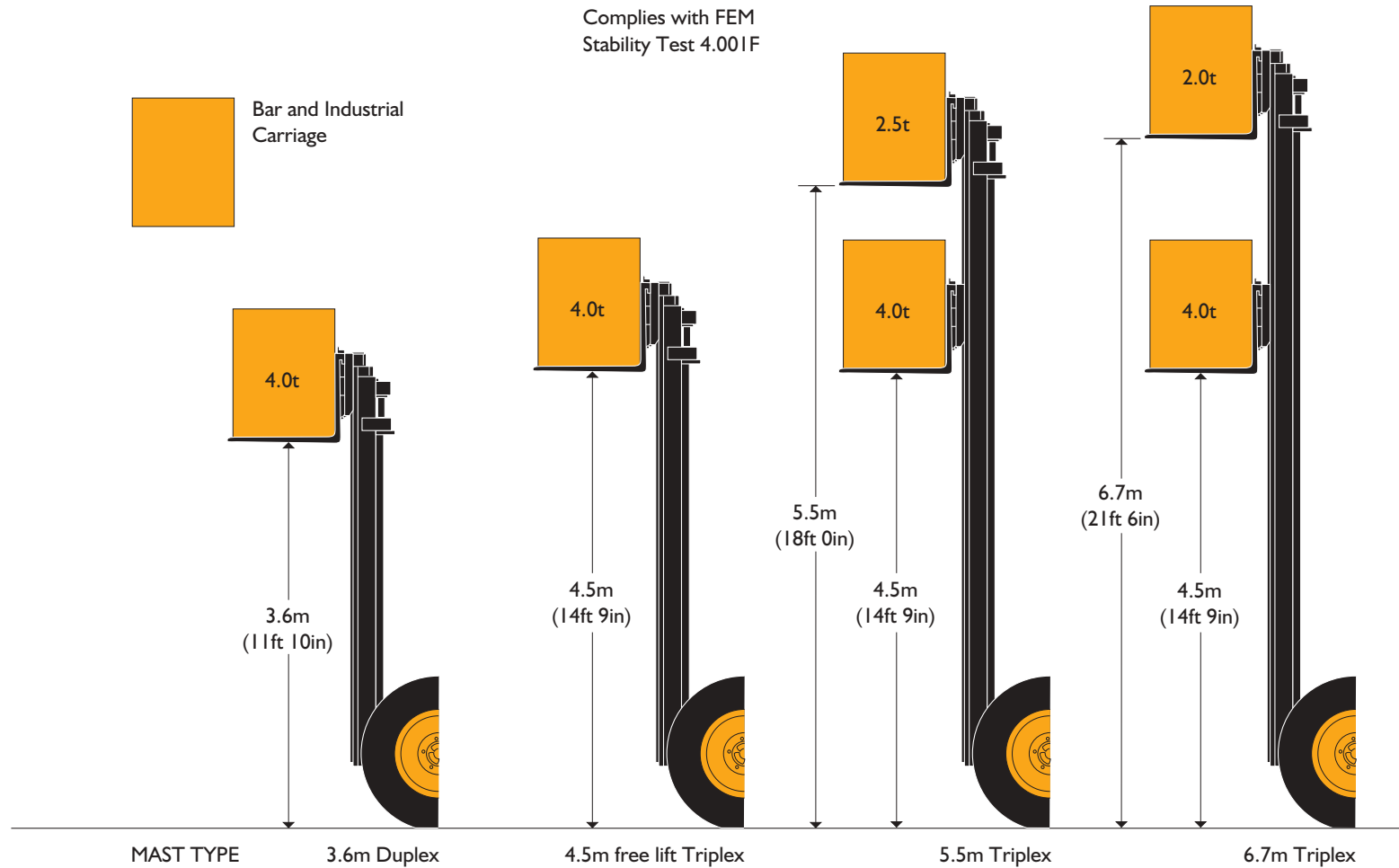
Canopy: as above but with no glazing (screen wiper and heater/screen demister not applicable), and rear fenders are standard.

OPTIONS AND ATTACHMENTS

Auxiliary carriage services via hose reel for powered attachments. Wheel and tyres sets. Tinted cab glazing. Suspension seat. Seat belt. Roof screen wash/wipe. Flashing roof beacon. Fire extinguisher. Cab exterior mirrors. Front screen bars. Optional rear fenders. Reversing lights. Reverse alarm. Electrical fuel level gauge. Propshaft guards. Chaff guard. Air pre-cleaner. Engine fan guard kit. Hose guard kits. Load guard. Contact your local dealer for details of the comprehensive range of attachments.



940 CAPABILITIES





A GLOBAL COMMITMENT TO QUALITY

JCB's total commitment to its products and customers has helped it grow from a one-man business into Britain's largest privately owned manufacturer of backhoe loaders, crawler excavators, wheeled excavators, telescopic handlers, wheeled loaders, dump trucks, rough terrain fork lifts, industrial fork lifts, mini/midi excavators, skid steer loaders and tractors.

By making constant and massive investments in the latest production technology, the JCB factories have become some of the most advanced in Europe.

By leading the field in innovative research and design, extensive testing and stringent quality control, JCB machines have become renowned all over the world for performance, value and reliability.

And with a global sales and service network of over 400 distributors and agents, the company exports over 70% of its production to all five continents.

Through setting the standards by which others are judged, JCB has become one of Britain's most impressive success stories.

